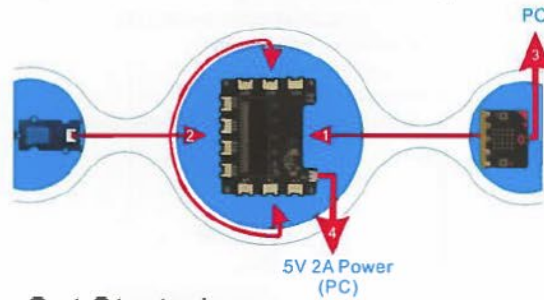


element14

mi:node

Quick Start Guide

Installation Sketch Map



Get Started

1. Plug the micro:bit into the connector board
2. Connect the modules you want to use to the connector board with the connecting cables
3. Connect the micro:bit to your PC with a USB cable
4. Connect the connector board to a 5V 2A power supply with a second USB cable

What's In The Box

	Quantity
Connector Board	1
Light Sensor	1
Temperature and Humidity Sensor	1
Relay	1
Switch	1
Variable Color LED	1
Speaker	1
Mini Fan Control Board	1
Motor	1
Mini Fan	1
PIR Motion Sensor	1
Rotary Angle	1
Sound Sensor	1
Connecting Cable	8
USB Cable	2

Module Input / Output Connections

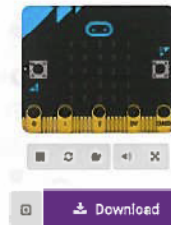
Item	Module Name	Available Interfaces
1	Light Sensor	A0, A1, A2
2	Temperature and Humidity Sensor	D12,D13,D14,D15
3	Relay	D12,D13,D14,D15
4	RGB LED	D12,D13,D14,D15
5	Switch	D12,D13,D14,D15
6	Speaker	A0, A1, A2
7	Mini Fan	A0, A1, A2
8	PIR Motion Sensor	D12,D13,D14,D15
9	Rotary Angle	A0, A1, A2
10	Sound Sensor	A0, A1, A2

Programming

1. Open: <https://makecode.microbit.org/>
2. Go to More > Add Package...
3. Search for minode
4. Select the minode package
5. Create your code using the minode blocks



6. Upload the Hex file to micro:bit



That's it!
Now have a play & see what you can create!

Learn more at:

www.element14.com/community/docs/DOC-87398

For technical support or questions, please contact:

support@embest-tech.com